

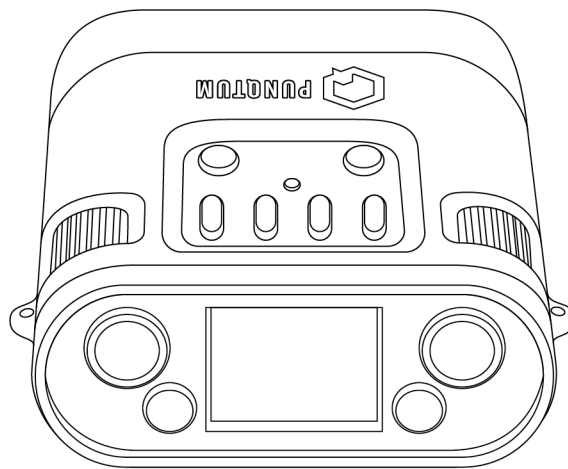


PUNQTUM
BY RIEDEL

QUICK START GUIDE

Q110 - Beltpack

Q-Series Network Based Intercom System



Welcome to punQtum's digital intercom family!
This document will give an overview of the Q110 Beltpack and help setting up your system.



What's in the Package

- Q110 Beltpack
- Belt clip
- This quick start guide



Safety Instructions & Warnings

- Read, keep and follow these instructions.
- Do not use this product near water.
- Do not expose the product to dripping or splashing liquid.
- Unplug the unit during lightning storms.
- Clean only with dry cloth.
- Do not open the unit (no user-serviceable parts inside).
Modifications executed by unqualified personnel can void the warranty



Software Update

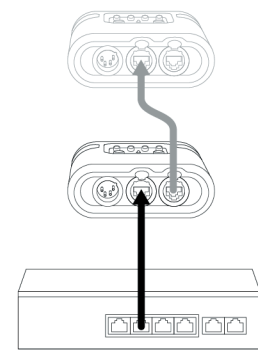
To ensure the best experience, please keep firmware and software tools updated.
Please visit www.punQtum.com/downloads

Getting Started

The Q110 Beltpack connects to a PoE-compliant (IEEE 802.3af, 3at or 3bt) punQtum intercom system and supports monaural headsets with a dynamic or electret microphone. Regular PoE switches or PoE injectors can be used as well as a punQtum Q210 P Speaker Station or another Q110 Beltpack.

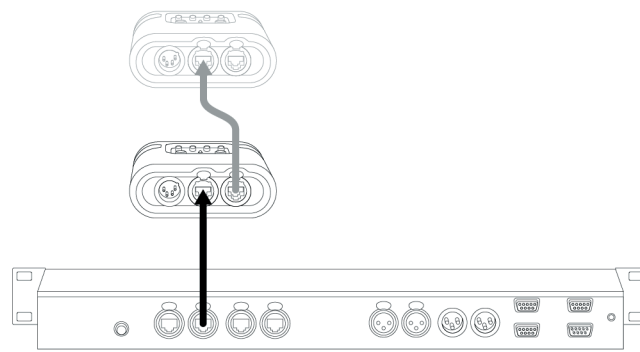
1. Power your beltpack(s)

One or more Q110 powered by a PoE switch:



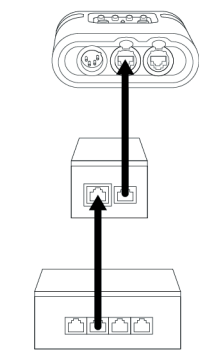
PoE Switch

One or more Q110 powered by a Q210 P Speaker Station:



punQtum Q210 P

One Q110 powered by a PoE injector



switch



Q110 Beltpacks can conveniently be daisy-chained as shown above. Note that the number of daisy-chained Q110 units is limited by the available PoE power budget, Ethernet cable length and quality.

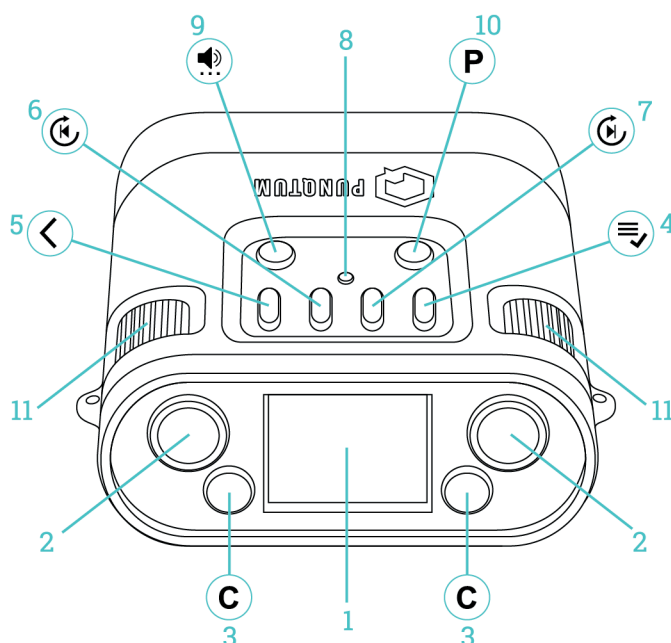


Star topologies using Ethernet switches are preferred to daisy-chained networks.

2. Connect your headset

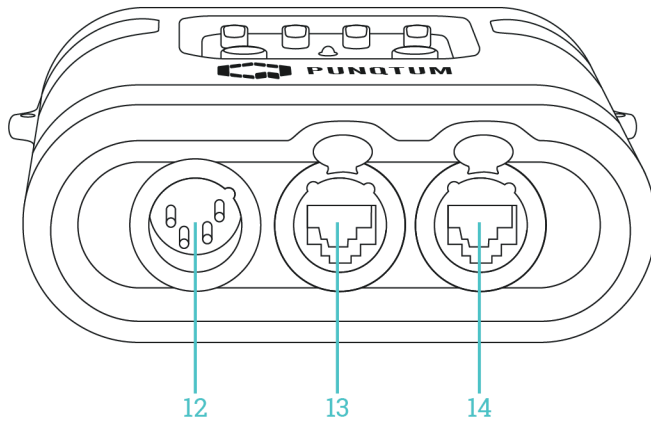
3. Push the TALK button and enjoy

Operating elements



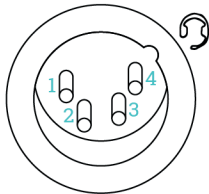
1. Color TFT display
2. TALK buttons
3. CALL buttons
4. MENU / OK button
5. BACK button
6. REPLAY / SKIP BACK button
7. REPLAY / SKIP FORWARD button
8. Finger position marker
9. VOLUME button
10. Programmable button
11. Rotary encoders

Connectors



- 12. Headset connector
- 13. Network & PoE input
- 14. Network & PoE output (passthrough)

Headset connector pin assignment



- 1. Microphone [-] GND
- 2. Microphone [+] (bias for electret type)
- 3. Headphone [-]
- 4. Headphone [+]

Disposal



This symbol, found on your product or on its packaging, indicates that the product was put on the market after August 13, 2005 and must not be disposed of with other waste. Instead, it should be handed over to an appropriate collection point for the recycling of electrical and electronic equipment.

The separate collection and recycling of waste equipment at the time of disposal will help to conserve natural resources and ensure that it is recycled in a manner that protects human health and the environment. For more detailed information about the recycling of this product please contact your local authority.



Do you need help or more information?

Visit www.punQtum.com/support to access user manuals, the FAQ section and the contact form.

© 2021 punQtum by Riedel All rights reserved.

All trademarks are the property of their respective owners. punQtum accepts no liability for any loss caused by relying on descriptions, pictures or statements contained herein.

Technical specifications and appearance are subject to change without notice.

PNQ-110(D)