

Highlights:

- Vertical and horizontal mounting (rotatable logo)
- Zinc alloy mounting bracket included
- Terminal block connection
- 1" Dome tweeter
- 6" Low frequency loudspeaker
- 12,5° incline angle

The XENO series is a loudspeaker range specifically designed for fixed audio installations in modern environments, offering two different sizes of contemporary and elegant designed products. What makes them so unique is their full range audio design, allowing them to be used without additional bass cabinet.

The XENO6 is the 6" version, featuring a 1" dome tweeter and a 6" Mid /Low-frequency driver, ensuring a high-fidelity sound. This wooden cabinet is fitted with a slim and elegant front grill. This makes the loudspeaker suitable for different kinds of environments where the audio system has to create the right atmosphere both aesthetically and musically. This ranges from design interiors in residential applications to contemporary retail stores and restaurants where a clear background sound is desired.

But the XENO6 also shines in clubs and pubs where the sound goes up after the sun goes down. It delivers a powerful full range of sound with an RMS rating of 80 Watt and a maximum of 160 Watt. The advanced Integrated protection circuit avoids tweeter damaging when an overload occurs.

The included mounting bracket makes it possible to mount the loudspeaker in both horizontal and vertical position, up to 12.5°, making it suitable for every application. The connections can be made on the rear side of the loudspeaker with a Euro Terminal block connector. Ships with 2mm safety cable with a PVC jacket. All Xeno series speakers are available in black (B) or white (W).

Applications:

- Bars & Restaurants
- Sporting facilities
- Hotels
- Residential
- Clubs
- Retail



Impedance:



System specifications:

Speaker type		2-way
Peak power handling		320 W
Program power handling		160 W
RMS/AES power handling		80 W
Impedance		8 Ω
Sensitivity (1W/1m)		88 dB
Sound Pressure (Max. W/1m)		110 dB
Frequency	Response (\pm 3 dB)	65 Hz - 18 kHz
	Range (-10 dB)	55 Hz - 20 kHz
Crossover	Frequency	2.5 kHz
	Type	Passive built-in
Dispersion	Horizontal	120°
	Vertical	120°
Connectors		4-pin Euro Terminal Block (Pitch - 5.08 mm)
Drivers		1" Dome tweeter
		6" MF / LF Woofer

Product Features:

Dimensions		210 x 345 x 220 mm (W x H x D)
Weight		5.600 kg
Operating temperature		-20 °C ~ 60 °C
Construction		Medium Density Fibreboard with structured coating
Front finish		Steel grill
Mounting & handling		2-way Revolving mounting bracket
Colours		Black (RAL9004) (XENO6/B)
		White (RAL9003) (XENO6/W)
Accessories	Included	4-pin Euro Terminal Block (Pitch - 5.08 mm)
		2-way Revolving mounting bracket
	Optional	WBP100 Wall bracket mounting plate

Variants:

- XENO6/B - Black version
- XENO6/W - White version

Shipping & Ordering:

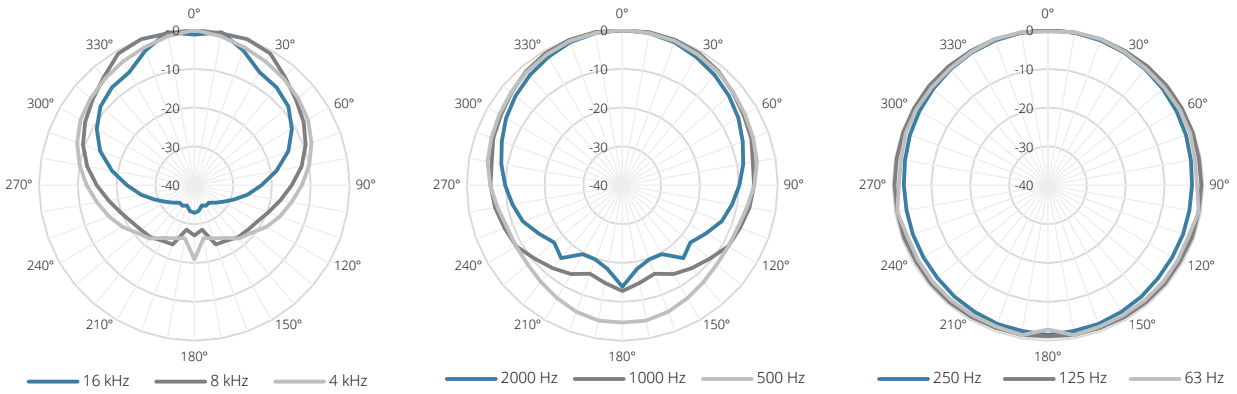
Packaging	Cardboard box
Shipping weight & volume	6.200 kg - 0.0355 Cbm

Architects' and Engineers' Specifications:

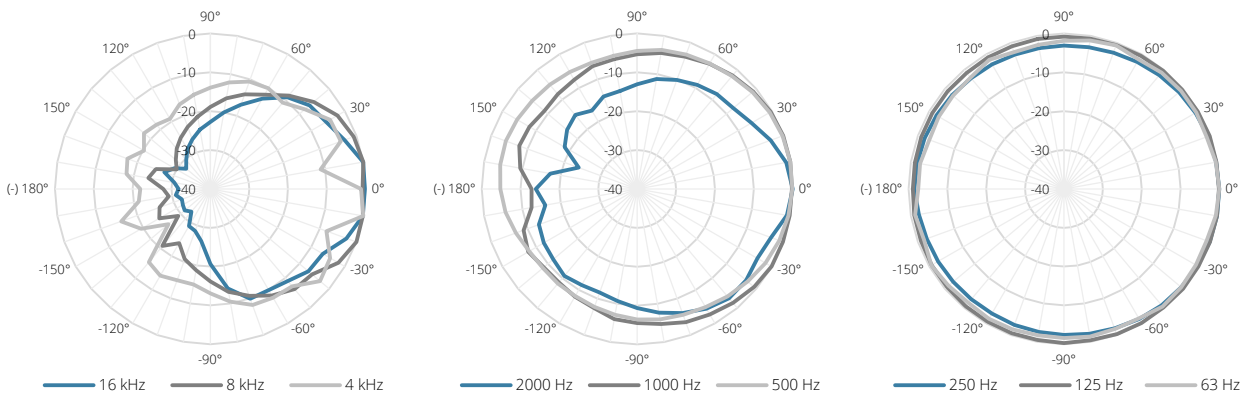
The loudspeaker shall be a 2-way full range system, incorporating a 6" woofer and 1" dome tweeter. It shall have an RMS power handling of 80 Watt with a maximum power handling of 160 Watt and the frequency response (± 3 dB) shall range from 65 Hz to 18 kHz. The sensitivity shall be 88 dB when measuring with an input signal of 1 Watt at a distance of 1 meter, while the maximum continuous sound pressure level shall be 110 dB. The loudspeaker shall have an impedance of 8 Ohm and contain a passive built-in crossover network with crossover frequency of 2500 Hz, which is constructed of high-quality components. It shall have a curved enclosure constructed out of medium density wood with a textured and scratch resistant paintwork finish. The front finishing shall be made with a curved and overlapping front grill, giving a slim and elegant impression. It shall be wall mountable in both horizontal and vertical position using an included 2-way revolving mounting bracket, which enables aiming into any direction. An additional drop safety cable shall be provided. The connections shall be made using terminal block type connectors with two input and two output terminals, allowing parallel linkthrough to other loudspeakers. The full range system's enclosure shall be 345 mm high, 210 mm wide and 220 mm deep and the weight shall not exceed 5.6 Kg.

Acoustical data graphs:

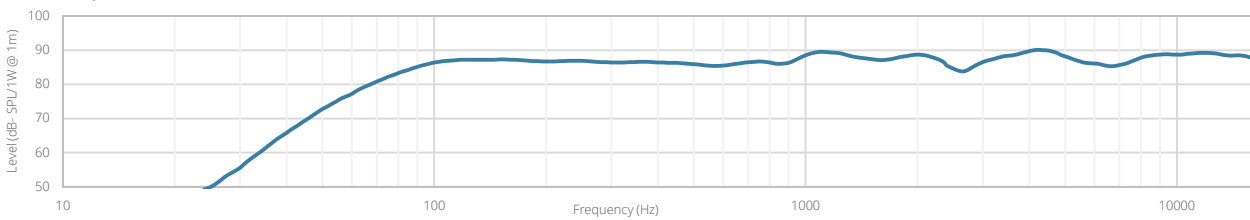
Horizontal Polars:



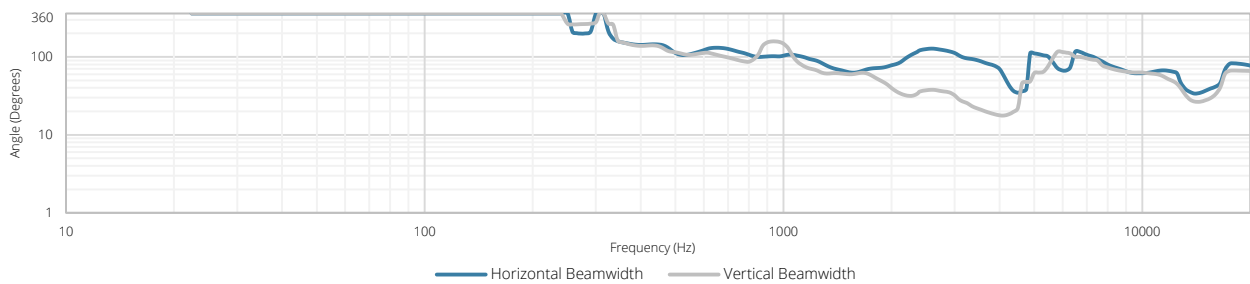
Vertical Polars:



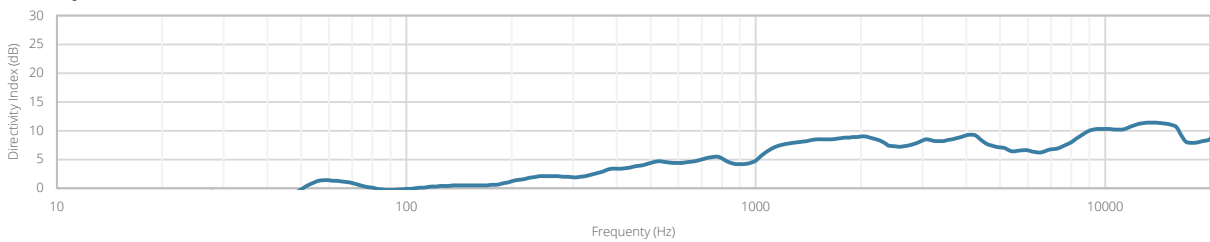
Sensitivity:

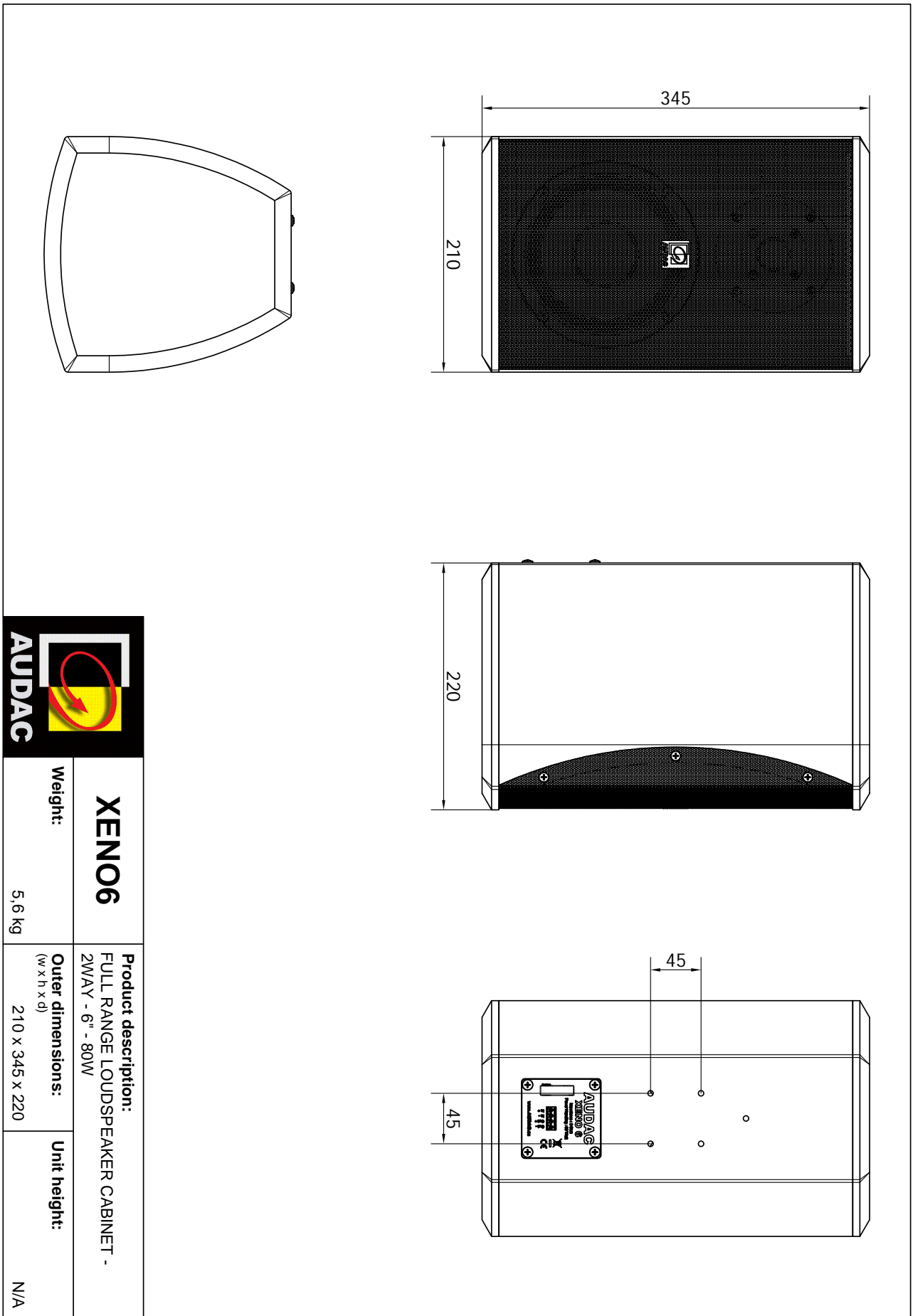


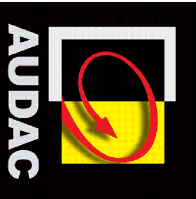
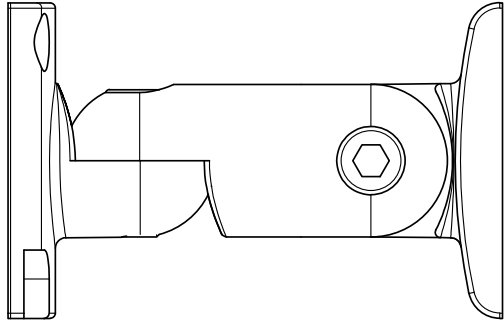
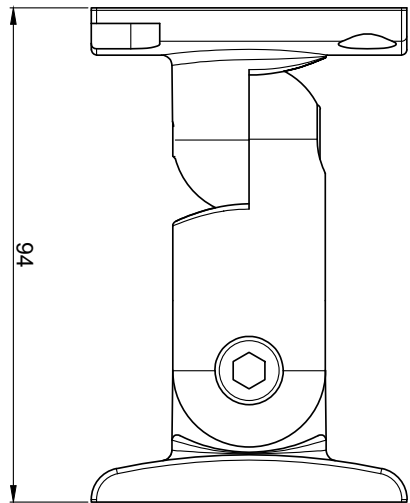
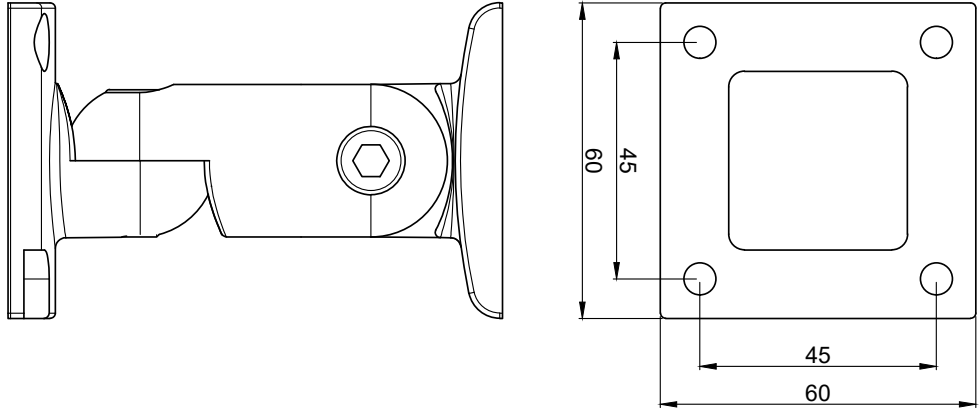
Beamwidth (-3dB):



Directivity index:







XENO & VEXO Bracket	Product description: WALL MOUNTING BRACKET FOR XENO AND VEXO SERIES	Unit height: N/A
Weight: 0,58 kg	Outer dimensions: <small>(w x h x d)</small> 60 x 60 x 94	